



# CDM short arc reflector lamps – perfect colors, long life

## CDM

The perfect color rendering and long life of these Ceramic Discharge Metal-halide lamps make them ideal for fiber optics lighting systems in shop displays, decorative lighting and swimming pool illumination. They can be mounted in color changing projectors.

### Benefits

- Low cost of ownership
- Perfect colors

### Features

- Long life
- High efficiency
- High color rendering index (Ra 90)

### Application

- Shops
- Side lighting
- Architainment (e.g. swimming pools)

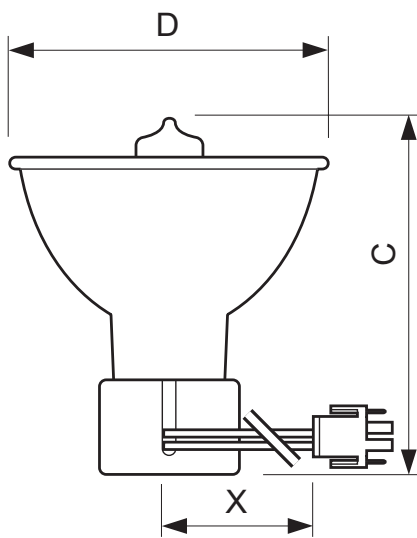
**PHILIPS**

Related products



CDM-SA/R 150W

Dimensional drawing



CDM-SA/R 150W/942 UNP

Product	C (Max)	D (Max)	X (Norm)
CDM-SA/R 150W/942	106	95.3	280

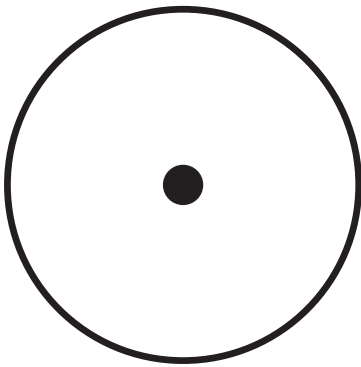
General Characteristics

Order code	Full product name	Cap-Base	Operating Position	Main Application	Life to 50% failures
928086805303	CDM-SA/R 150W/942 UNP	Ceramic Cap-Cable	any	Fiber Optics	6000 hr

## Installation diagrams



Ceramic Cap-Cable



any

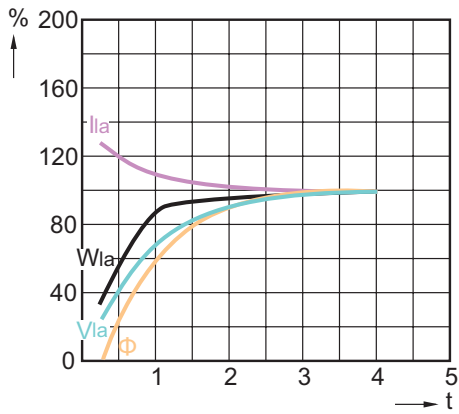
## Light Technical Characteristics

Order code	Full product name	Color Code	Color Rendering Index	Color Designation (text)	Color Temperature	Luminous Flux Lamp EM
928086805303	CDM-SA/R 150W/942 UNP	942	96 Ra8	Cool White	4200 K	2300 (min), 2750 (nom) Lm

## Electrical Characteristics

Order code	Full product name	Lamp Wattage	Lamp Current	Dimmable
928086805303	CDM-SA/R 150W/942 UNP	150 W	1.8 A	No

## Performance diagrams



CDM-SA/R 150W/942



© 2014 Koninklijke Philips N.V. (Royal Philips)  
All rights reserved.

Specifications are subject to change without notice. Trademarks are the property of Koninklijke Philips N.V. (Royal Philips) or their respective owners.

[www.philips.com/lighting](http://www.philips.com/lighting)

2014, April 11  
data subject to change