



HF-Essential II for TL5/TL-D

HF-E 3/4 14 TL5 II 220-240V 50/60Hz

Essentially smart and reliable HF-Essential II is the most cost-effective solution for reliable operation of a fluorescent lamp. It is also the ideal entry-level product for electromagnetic system users who want to take advantage of the benefits provided by electronic ballasts. The cost-saving and reliable HF-Essential II is energy efficiency class A2, and its robust design meets all relevant international safety and performance standards. HF-Essential II is the ideal choice for a broad range of new construction and retrofit applications within the commercial sector, including general surface mounting and office lighting, parking garages, warehouses and other applications.

Product data

• General Characteristics

Rated Lamptype	TL5 II
Rated Number of Lamps	3/4 piece
Rated Ballast-Lamp Power	14
Line Voltage	220-240 V
Line Frequency	50/60 Hz
Housing	L 211x40x26
Energy Efficiency Index	A2 BAT
Lifetime 90% surv.@Tcaselife	60000 hr

• Operating Characteristics

Automatic restart	Yes
Preheat time	0.85 s
Operating frequency *	47 kHz
Mains voltage safety (AC)	198-264V -10%/+10%
Mains voltage performance (AC)	202-254V -8%/+6%
Inrush current Peak	24 (max) A
Inrush current Width	0.25 ms
Earth leakage current	0.5 (max) mA
Power losses gear	3.50/5.00 W
Ballast Lumen Factor	1.00 -
PowerFactor 100% output power	0.98 -
Overvoltage protection 320Vac	48 hr
Overvoltage protection 350Vac	2 hr
Max ballast on MCB(16A type B)	28 x

Crestfactor	1.7 -
Hum and Noise level	< 30 dB(A)

• Wiring Characteristics

Cable-Cap output-wires mutual	200 (max) pF
Conn.type input terminals	Insert
Conn.type output terminals	Insert
Max. cable length	0.75 m
Hot Wires Striplength	8.0-9.0 mm
Dual fixture Master/Slave	Possible, lamp wires 0.75m max. length [Master/Slave operation possible]
Wcs Input terminals	0.50-1.50 mm ²
Wcs Output terminals	0.50-1.50 mm ²
Cable-Cap hot out-wires-earth	200 (max) pF
Cable-Cap cold out-wires-earth	200 (max) pF

• System Chars on driver level

Rated Lamp Power on TL5	14
Lamp Power on TL5	41.5/56.0
Power Loss on TL5	3.50/5.00

• Temperature Characteristics

F-marking	No
T-case life	75 C
T-case maximum	75 (max) C

PHILIPS

HF-Essential II for TL5/TL-D

T-ambient -10 (min), 50 (max) C
 T-storage -40 (min), 80 (max) C

CCC certificate No
 PSB certification No
 TISI marking No
 SIRIM approval No
 CB Certificate No

• Product Dimensions

Length A1 211.0 mm
 Fixing Hole Distance 198.0 mm
 Length A2
 Width B1 39.6 mm
 Height C1 26.0 mm
 Fixing Hole Diameter 4.2 mm
 D1

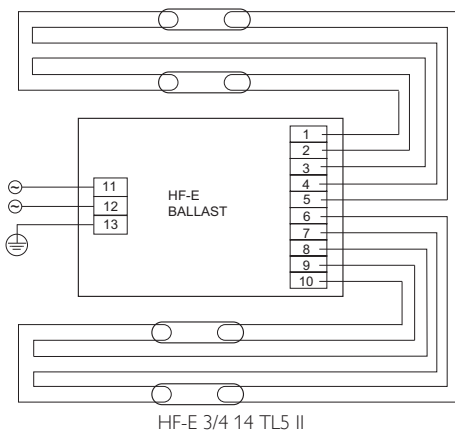
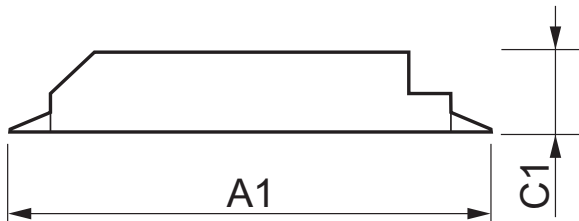
• Approval & Application Chars

EMI 9kHz .. 30 MHz EN 55015
 Vibrations IEC 60068-2-6:2007-Fc
 Bumps IEC 60068-2-29:1993-Eb
 Approval marks CE / KEMA / CB / RoHs
 CE marking Yes
 ENEC certificate No
 C-Tick certificate No

• Product Data

Order code 913713041366
 Full product code 913713041366
 Full product name HF-E 3/4 14 TL5 II 220-240V 50/60Hz
 Order product name HF-E 3/4 14 TL5 II 220-240V 50/60Hz
 Pieces per pack 1
 Packing configuration 20
 Packs per outerbox 20
 Bar code on pack - EAN1 8718291770626
 Bar code on outerbox - EAN3 8718291770633
 Logistic code(s) - 12NC 913713041366
 Net weight per piece 0.155 kg

Dimensional drawing



HF-E 3/4 14 TL5 II 220-240V 50/60Hz

Product	A1 (Norm)	A2 (Norm)	B1 (Norm)	C1 (Norm)	D1 (Norm)
HF-E 3/4 14 TL5 II 220-240V 50/60Hz	211.0	198.0	39.6	26.0	4.2



© 2014 Koninklijke Philips N.V. (Royal Philips)
All rights reserved.

Specifications are subject to change without notice. Trademarks are the property of
Koninklijke Philips N.V. (Royal Philips) or their respective owners.

www.philips.com/lighting

2014, July 27
data subject to change