



# The affordable LED solution

## CorePro LEDtube

The CorePro LEDtube is an affordable LED solution suitable for replacing T8 fluorescent lamps. The product provides a natural lighting effect for use in general lighting applications, as well as instant energy savings – an environmentally friendly solution.

### Benefits

- Minimizes overall lighting costs
- Offers cheapest and easiest upgrade to LED lighting technology

### Features

- Only 50% energy consumption compared to fluorescent tubes
- Lasts two times longer than fluorescent tubes
- Retrofit replacement of existing T8 lamps on electromagnetic (EM) ballast installations

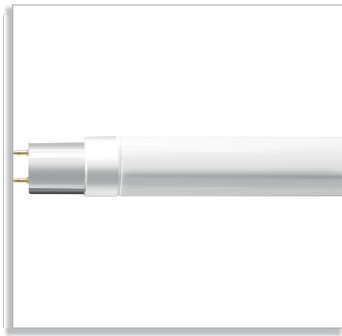
### Application

- Parking lots and covered car parks
- Warehouses and coldrooms
- Signage

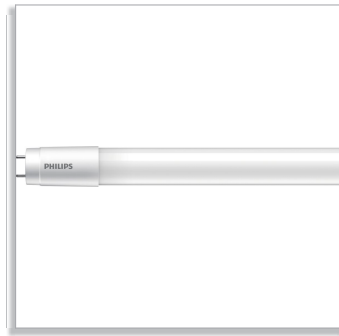


**PHILIPS**

Related products

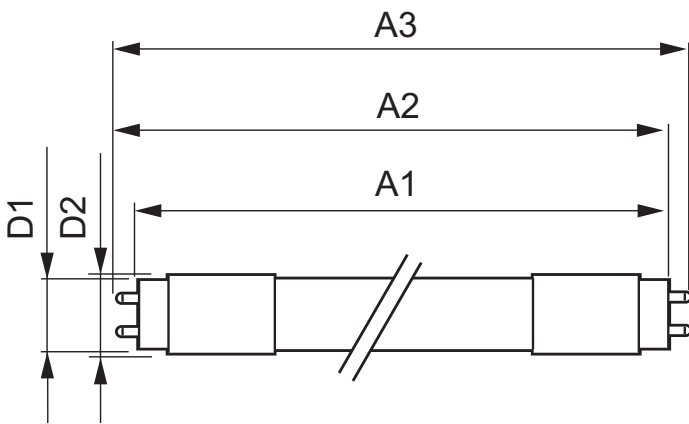


LEDtube 600mm, 1200mm & 1500mm



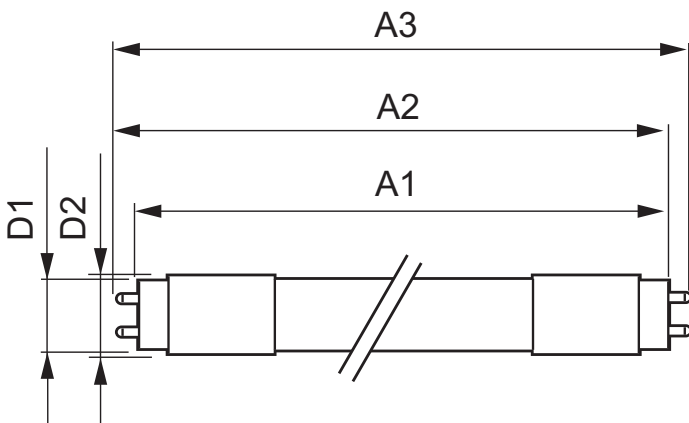
LEDtube 1500 mm 22 W C

Dimensional drawing



CorePro LEDtube 1500mm 25W 840 I

Product	A1 (Norm)	A2 (Norm)	A3 (Norm)	D1 (Norm)	D2 (Norm)
TLED 1500mm 25W 840	1500.0	1507.0	1514.0	25.68	28
TLED 1500mm 25W 840	1500.0	1507.0	1514.0	25.68	28
TLED 1500mm 25W 865	1500.0	1507.0	1514.0	25.68	28
TLED 1500mm 25W 865	1500.0	1507.0	1514.0	25.68	28
TLED 1200mm 20W840 T8	1198.0	1205.0	1212.0	25.68	28
TLED 1200mm 20W840 T8	1198.0	1205.0	1212.0	25.68	28
TLED 1200mm 20W865 T8	1198.0	1205.0	1212.0	25.68	28
TLED 1200mm 20W865 T8	1198.0	1205.0	1212.0	25.68	28
TLED 600mm 10W840 T8	588.5	595.5	602.5	25.68	28
TLED 600mm 10W840 T8	588.5	595.5	602.5	25.68	28
TLED 600mm 10W865 T8	588.5	595.5	602.5	25.68	28
TLED 600mm 10W865 T8	588.5	595.5	602.5	25.68	28



CorePro LEDtube 1500mm 22W 840 C

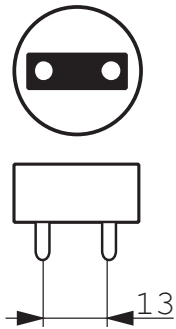
Product	A (Norm)	A1 (Norm)	A2 (Norm)	A3 (Norm)	B (Min)	B (Norm)	B (Max)	D (Min)	D (Norm)	D (Max)	D1 (Norm)	D2 (Norm)
LEDtube 1500mm 22W 840 C	-	1500.0	1507.1	1514.2	-	-	-	-	-	-	25.68	28
LEDtube 1500mm 22W 865 C	-	1500.0	1507.1	1514.2	-	-	-	-	-	-	25.68	28

## General Characteristics

Order code	Full product name	Cap-Base	Rated Lifetime (hours)
929000280102	CorePro LEDtube 1500mm 25W 840 I	G13	30000 hr
929000280132	CorePro LEDtube 1500mm 25W 840 C	G13	30000 hr
929000280202	CorePro LEDtube 1500mm 25W 865 I	G13	30000 hr
929000280232	CorePro LEDtube 1500mm 25W 865 C	G13	30000 hr
929000296602	CorePro LEDtube 1200mm 20W 840 I	G13	30000 hr
929000296632	CorePro LEDtube 1200mm 20W 840 C	G13	30000 hr
929000296702	CorePro LEDtube 1200mm 20W 865 I	G13	30000 hr
929000296732	CorePro LEDtube 1200mm 20W 865 C	G13	30000 hr

Order code	Full product name	Cap-Base	Rated Lifetime (hours)
929000296802	CorePro LEDtube 600mm 10W 840 I	G13	30000 hr
929000296832	CorePro LEDtube 600mm 10W 840 C	G13	30000 hr
929000296902	CorePro LEDtube 600mm 10W 865 I	G13	30000 hr
929000296932	CorePro LEDtube 600mm 10W 865 C	G13	30000 hr
929001128602	CorePro LEDtube 1500mm 22W 840 C	G13	30000 hr
929001128702	CorePro LEDtube 1500mm 22W 865 C	G13	30000 hr

## Installation diagrams

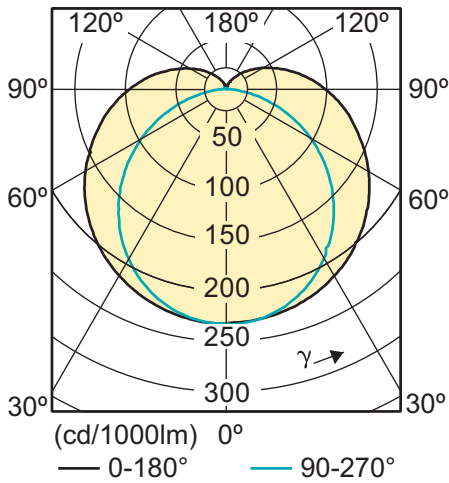


G13

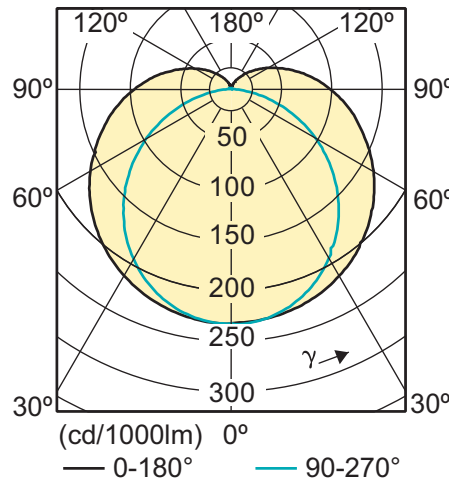
## Light Technical Characteristics

Order code	Full product name	Color Code	Beam Angle	Luminous Intensity	Color rendering index	Rated Luminous Flux	LLMF - end nominal life-time	Rated Beam Angle
929000280102	CorePro LEDtube 1500mm 25W 840 I	840	150 D	cd	80	2000 Lm	70 %	150 D
929000280132	CorePro LEDtube 1500mm 25W 840 C	840	150 D	cd	80	2000 Lm	70 %	150 D
929000280202	CorePro LEDtube 1500mm 25W 865 I	865	150 D	cd	80	2000 Lm	70 %	150 D
929000280232	CorePro LEDtube 1500mm 25W 865 C	865	150 D	cd	80	2000 Lm	70 %	150 D
929000296602	CorePro LEDtube 1200mm 20W 840 I	840	150 D	cd	80	1600 Lm	70 %	150 D
929000296632	CorePro LEDtube 1200mm 20W 840 C	840	150 D	cd	80	1600 Lm	70 %	150 D
929000296702	CorePro LEDtube 1200mm 20W 865 I	865	150 D	cd	80	1600 Lm	70 %	150 D
929000296732	CorePro LEDtube 1200mm 20W 865 C	865	150 D	cd	80	1600 Lm	70 %	150 D
929000296802	CorePro LEDtube 600mm 10W 840 I	840	150 D	cd	80	800 Lm	70 %	150 D
929000296832	CorePro LEDtube 600mm 10W 840 C	840	150 D	cd	80	800 Lm	70 %	150 D
929000296902	CorePro LEDtube 600mm 10W 865 I	865	150 D	cd	80	800 Lm	70 %	150 D
929000296932	CorePro LEDtube 600mm 10W 865 C	865	150 D	cd	80	800 Lm	70 %	150 D
929001128602	CorePro LEDtube 1500mm 22W 840 C	840	150 D	cd	80	2000 Lm	70 %	150 D
929001128702	CorePro LEDtube 1500mm 22W 865 C	865	150 D	cd	80	2000 Lm	70 %	150 D

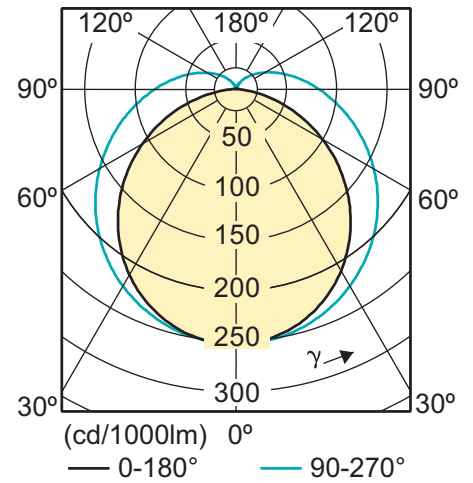
Light technical



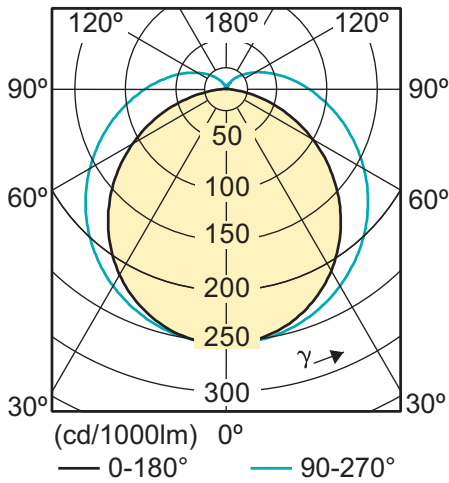
LEDtube 25 W /840 1500 mm



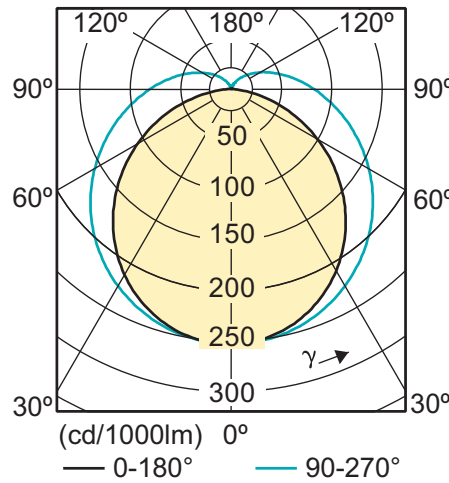
LEDtube 25 W /865 1500 mm



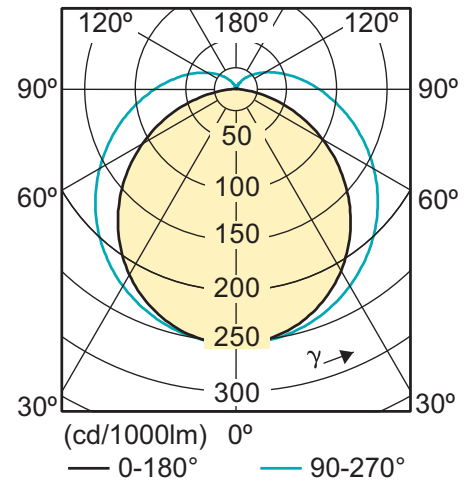
LEDtube 20 W /840 1200 mm



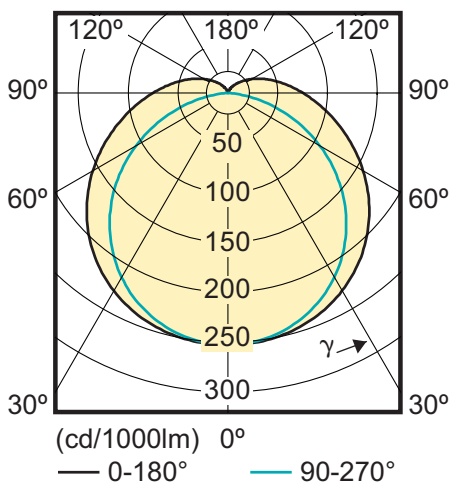
LEDtube 20 W /865 1200 mm



LEDtube 10 W /840 600 mm



LEDtube 10 W /865 600 mm



LED tube 1500 mm 22 W /840, /865 C

## Electrical Characteristics

Order code	Full product name	Wattage	Voltage	Line Frequency	Dimmable	Rated Wattage	Starting Time
929000280102	CorePro LEDtube 1500mm 25W 840 I	25 W	220-240 V	50/60 Hz	No	25 W	0.5 (max) s
929000280132	CorePro LEDtube 1500mm 25W 840 C	25 W	220-240 V	50/60 Hz	No	25 W	0.5 (max) s
929000280202	CorePro LEDtube 1500mm 25W 865 I	25 W	220-240 V	50/60 Hz	No	25 W	0.5 (max) s
929000280232	CorePro LEDtube 1500mm 25W 865 C	25 W	220-240 V	50/60 Hz	No	25 W	0.5 (max) s
929000296602	CorePro LEDtube 1200mm 20W 840 I	20 W	220-240 V	50/60 Hz	No	20 W	0.5 (max) s
929000296632	CorePro LEDtube 1200mm 20W 840 C	20 W	220-240 V	50/60 Hz	No	20 W	0.5 (max) s
929000296702	CorePro LEDtube 1200mm 20W 865 I	20 W	220-240 V	50/60 Hz	No	20 W	0.5 (max) s
929000296732	CorePro LEDtube 1200mm 20W 865 C	20 W	220-240 V	50/60 Hz	No	20 W	0.5 (max) s
929000296802	CorePro LEDtube 600mm 10W 840 I	10 W	220-240 V	50/60 Hz	No	10 W	0.5 (max) s
929000296832	CorePro LEDtube 600mm 10W 840 C	10 W	220-240 V	50/60 Hz	No	10 W	0.5 (max) s
929000296902	CorePro LEDtube 600mm 10W 865 I	10 W	220-240 V	50/60 Hz	No	10 W	0.5 (max) s
929000296932	CorePro LEDtube 600mm 10W 865 C	10 W	220-240 V	50/60 Hz	No	10 W	0.5 (max) s
929001128602	CorePro LEDtube 1500mm 22W 840 C	22 W	220-240 V	50/60 Hz	No	22 W	0.5 (max) s
929001128702	CorePro LEDtube 1500mm 22W 865 C	22 W	220-240 V	50/60 Hz	No	22 W	0.5 (max) s

## Temperature Characteristics

Order code	Full product name	T-case maximum	Operating temperature	T-Storage
929000280102	CorePro LEDtube 1500mm 25W 840 I	55 (max) C	-30 (min), 45 (max) C	-40 (min), 65 (max) C
929000280132	CorePro LEDtube 1500mm 25W 840 C	55 (max) C	-30 (min), 45 (max) C	-40 (min), 65 (max) C
929000280202	CorePro LEDtube 1500mm 25W 865 I	55 (max) C	-30 (min), 45 (max) C	-40 (min), 65 (max) C
929000280232	CorePro LEDtube 1500mm 25W 865 C	55 (max) C	-30 (min), 45 (max) C	-40 (min), 65 (max) C
929000296602	CorePro LEDtube 1200mm 20W 840 I	55 (max) C	-30 (min), 45 (max) C	-40 (min), 65 (max) C
929000296632	CorePro LEDtube 1200mm 20W 840 C	55 (max) C	-30 (min), 45 (max) C	-40 (min), 65 (max) C
929000296702	CorePro LEDtube 1200mm 20W 865 I	55 (max) C	-30 (min), 45 (max) C	-40 (min), 65 (max) C
929000296732	CorePro LEDtube 1200mm 20W 865 C	55 (max) C	-30 (min), 45 (max) C	-40 (min), 65 (max) C
929000296802	CorePro LEDtube 600mm 10W 840 I	55 (max) C	-30 (min), 45 (max) C	-40 (min), 65 (max) C
929000296832	CorePro LEDtube 600mm 10W 840 C	55 (max) C	-30 (min), 45 (max) C	-40 (min), 65 (max) C
929000296902	CorePro LEDtube 600mm 10W 865 I	55 (max) C	-30 (min), 45 (max) C	-40 (min), 65 (max) C
929000296932	CorePro LEDtube 600mm 10W 865 C	55 (max) C	-30 (min), 45 (max) C	-40 (min), 65 (max) C

Order code	Full product name	T-case maximum	Operating temperature	T-Storage
929001128602	CorePro LEDtube 1500mm 22W 840 C	55 (max) C	-20 (min), 45 (max) C	-40 (min), 65 (max) C
929001128702	CorePro LEDtube 1500mm 22W 865 C	55 (max) C	-20 (min), 45 (max) C	-40 (min), 65 (max) C

## Environmental characteristics

Order code	Full product name	Energy Efficiency Label (EEL)	Energy consumption kWh/1000h
929000280102	CorePro LEDtube 1500mm 25W 840 I	A	25 kWh
929000280132	CorePro LEDtube 1500mm 25W 840 C	A	25 kWh
929000280202	CorePro LEDtube 1500mm 25W 865 I	A	25 kWh
929000280232	CorePro LEDtube 1500mm 25W 865 C	A	25 kWh
929000296602	CorePro LEDtube 1200mm 20W 840 I	A	20 kWh
929000296632	CorePro LEDtube 1200mm 20W 840 C	A	20 kWh
929000296702	CorePro LEDtube 1200mm 20W 865 I	A	20 kWh
929000296732	CorePro LEDtube 1200mm 20W 865 C	A	20 kWh
929000296802	CorePro LEDtube 600mm 10W 840 I	A	10 kWh
929000296832	CorePro LEDtube 600mm 10W 840 C	A	10 kWh
929000296902	CorePro LEDtube 600mm 10W 865 I	A	10 kWh

Order code	Full product name	Energy Efficiency Label (EEL)	Energy consumption kWh/1000h
929000296932	CorePro LEDtube 600mm 10W 865 C	A	10 kWh
929001128602	CorePro LEDtube 1500mm 22W 840 C	A+	22 kWh
929001128702	CorePro LEDtube 1500mm 22W 865 C	A+	22 kWh

## Measuring Conditions

Order code	Full product name	Switching cycle
929000280102	CorePro LEDtube 1500mm 25W 840 I	50000X
929000280132	CorePro LEDtube 1500mm 25W 840 C	50000X

Order code	Full product name	Switching cycle
929000280202	CorePro LEDtube 1500mm 25W 865 I	50000X
929000280232	CorePro LEDtube 1500mm 25W 865 C	50000X
929000296602	CorePro LEDtube 1200mm 20W 840 I	50000X
929000296632	CorePro LEDtube 1200mm 20W 840 C	50000X
929000296702	CorePro LEDtube 1200mm 20W 865 I	50000X
929000296732	CorePro LEDtube 1200mm 20W 865 C	50000X
929000296802	CorePro LEDtube 600mm 10W 840 I	50000X
929000296832	CorePro LEDtube 600mm 10W 840 C	50000X
929000296902	CorePro LEDtube 600mm 10W 865 I	50000X
929000296932	CorePro LEDtube 600mm 10W 865 C	50000X
929001128602	CorePro LEDtube 1500mm 22W 840 C	50000X
929001128702	CorePro LEDtube 1500mm 22W 865 C	50000X



© 2014 Koninklijke Philips N.V. (Royal Philips)  
All rights reserved.

Specifications are subject to change without notice. Trademarks are the property of Koninklijke Philips N.V. (Royal Philips) or their respective owners.

[www.philips.com/lighting](http://www.philips.com/lighting)

2014, November 15  
data subject to change