

HID-Basic BSN/BMH MK4 semi-parallel for SON/CDO/CDM/MH/HPI

BSN 250 K427-ITS 230/240V 50Hz BC2-160

Impregnated electromagnetic copper ballasts for use with an external semi-parallel ignitor for CDM, CDO, MH, HPI (Plus) and SON lamps

Product data

• General Characteristics

Application code	K427-ITS
Design	BC2-160
Rated Lamptype	SON/MH/CDM/CDO
Rated Number of Lamps	1 piece
Rated Ballast-Lamp Power	250
Line Voltage	230/240 V
Line Frequency	50 Hz

• Operating Characteristics

Mains voltage safety (AC)	-10%/+10%
Mains voltage performance (AC)	-8%/+6%
Input current with PF-correct.	1.4 A
Input current w/o PF-correct.	3.0 A
Power losses gear	27.7/28.4 W
PowerFactor 100% output power	0.85 -
PowerFactor w/o PF compens.	0.40 -

• Wiring Characteristics

Connector type	Insert
Striplength	7.0 mm
Wcs Ballast contacts	0.75-1.50 mm ²

• System Chars on driver level

Recommended Ignitor	for SON/CDO/CDM lamps ignitor SKD 578 (913700655366)
---------------------	--

Capacitor	32µF/250V
-----------	-----------

• Temperature Characteristics

Active temperature protection	Yes
T-storage	-30 (min), 130 (max) C
T-winding maximum (tw)	140 (max) C
Delta-T normal conditions	75/80 C

• Product Dimensions

Length A1	160.0 mm
Fixing Hole Distance	139.0 mm
Length A2	
Width B1	76.0 mm
Height C1	65.0 mm
Fixing Hole Diameter D1	6.2 mm

• Approval & Application Chars

CE marking	Yes
ENEC certificate	Yes

• Product Data

Order code	913700277727
Full product code	913700277727
Full product name	BSN 250 K427-ITS 230/240V 50Hz BC2-160
Order product name	BSN 250 K427-ITS 230/240V 50Hz BC2-160
Pieces per pack	1
Packing configuration	268

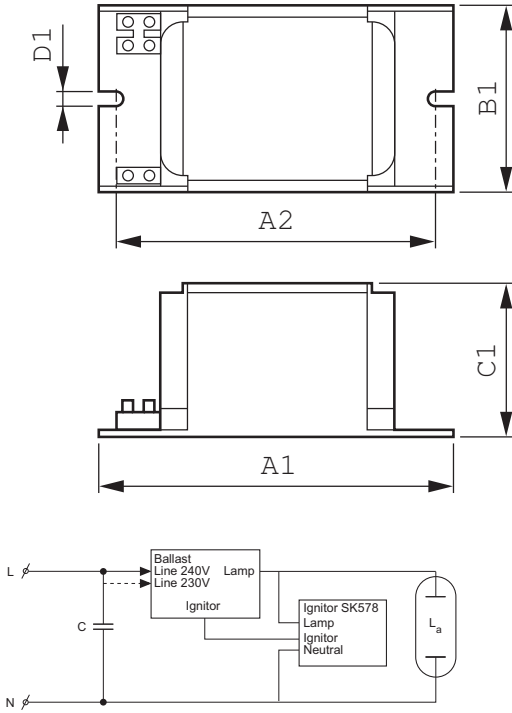
PHILIPS

HID-Basic BSN/BMH MK4 semi-parallel for SON/CDO/CDM/MH/HPI

Packs per outerbox 268
 Bar code on pack - EAN1 8711500999009
 Bar code on outerbox - EAN3 8727900889185

Logistic code(s) - 913700277727
 12NC
 Net weight per piece 3.200 kg

Dimensional drawing



BSN 250 K427-ITS 230/240V 50Hz BC2-160

Product	A1 (Norm)	A2 (Norm)	B1 (Norm)	C1 (Norm)	D1 (Norm)
BSN 250 K427-ITS 230/240V 50Hz BC2-160	160.0	139.0	76.0	65.0	6.2



© 2015 Koninklijke Philips N.V. (Royal Philips)
 All rights reserved.

Specifications are subject to change without notice. Trademarks are the property of Koninklijke Philips N.V. (Royal Philips) or their respective owners.

www.philips.com/lighting

2015, July 10
 data subject to change