



MASTER LEDspot MV

MAS LEDspotMV D 4-35W GU10 927 40D

Delivering a warm, halogen-like accent beam, MASTER LEDspot MV is a perfect fit for spot lighting (track, corridors, lift lobbies, display cases and cabinets) in the hospitality industry. It is particularly suitable to public areas where the light is on 24/7, such as lobbies, corridors, stairwells. MASTER LEDspot MV delivers huge energy savings and minimizes maintenance cost without any compromise on brightness, enabling hospitality owners to achieve a return on their investment within one year. These LEDspots are compatible with most existing fixtures with a GU10 holder and designed as a retrofit replacement for halogen or incandescent spots. The dimmable versions drive further efficiencies, while helping to create the desired atmosphere.

Product data

• General Information

Cap-Base	GU10 [GU10]
Nominal Lifetime (Nom)	50000 h
Switching Cycle Technical Type	50000X 4-35W

• Light Technical

Color Code	927
Beam Angle (Nom)	40 °
Light Distribution	Wide beam 40°
Luminous Flux (Nom)	279 lm
Luminous Flux (Rated) (Nom)	279 lm
Luminous Intensity (Nom)	560 cd
Color Designation	Warm White (WW)
Rated Beam Angle	40 °
Correlated Color Temperature (Nom)	2700 K
Luminous Efficacy (rated) (Nom)	65.50 lm/W
Color Consistency	6 steps
Color Rendering Index (Nom)	90
LLMF At End Of Nominal Lifetime (Nom)	70 %
Luminous Flux In 90° Cone (Rated)	262 lm

• Operating and Electrical

Input Frequency	50 to 60 Hz
Power (Rated) (Nom)	4 W
Lamp Current (Nom)	21 mA
Wattage Equivalent	35 W
Starting Time (Max)	0.5 s
Warm Up Time To 60% Light (Nom)	instant full light
Power Factor (Nom)	0.5
Voltage (Nom)	220-240 V

• Temperature

T-Case Maximum (Nom)	84 °C
----------------------	-------

• Controls and Dimming

Dimmable	Yes
----------	-----

• Approval and Application

Suitable For Accent Lighting	Yes
Energy Efficiency Label (EEL)	A+
Energy Consumption kWh/1000 h	4 kWh

PHILIPS

MASTER LEDspot MV

• Product Data

Full product code 871869645729000
Order product name MAS LEDspotMV D 4-35W GU10
927 40D
EAN/UPC - Product 8718696457290
Order code 929001139302

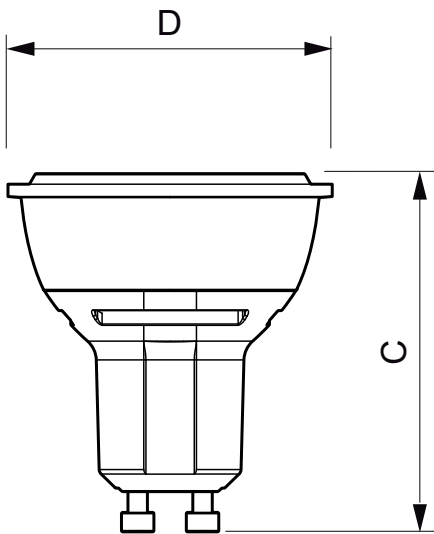
Numerator - Quantity Per Pack 1
Numerator - Packs per outer box 10
Material Nr. (12NC) 929001139302
Net Weight (Piece) 0.036 kg

Warnings and Safety

- Operating temperature range is between -20° C and 45° C ambient

- Only to apply in dry or damp locations and most of open fixtures with lamp-holders that offer sufficient space (10 mm free air space)
- Not intended for use with emergency light fixtures or exit lights

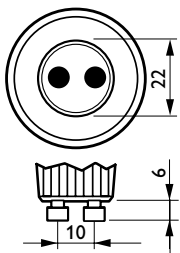
Dimensional drawing



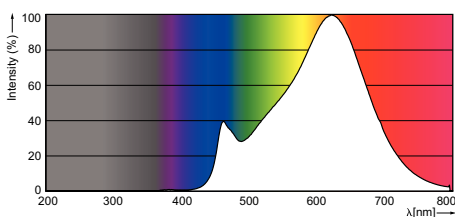
3.5-35W, 4-35W, 4.3-50W, 4.5-50W, 5.4-50W, 5.5-50W, 6-50W GU10

LED D 4-35W GU10 927 40D

Product	D	C
MAS LEDspotMV D 4-35W GU10 927 40D	50 mm	57 mm



Photometric data





© 2016 Philips Lighting Holding B.V.
All rights reserved.

Specifications are subject to change without notice. Trademarks are the property of Koninklijke Philips N.V. (Royal Philips) or their respective owners.

www.philips.com/lighting

2016, February 2
data subject to change