



MASTERColour CDM-R Elite

MASTERColour CDM-R Elite 35W/930 E27 PAR30L 10D

Compact, very high-efficiency, long-life Ceramic Metal Halide discharge reflector lamp producing crisp white sparkling light with high color rendering

Compact, very high-efficiency, long-life Ceramic Metal Halide discharge reflector lamp producing crisp white sparkling light with high color rendering

Product data

• General Information

Cap-Base	E27 [E27]
Bulb Shape	PAR30L [PAR 3.75 inch/95mm Long]
Operating Position	UNIVERSAL [Any or Universal (U)]
Life To 5% Failures (Nom)	9000 h
Life To 10% Failures (Nom)	5500 h
Life To 20% Failures (Nom)	12000 h
Life To 50% Failures (Nom)	15000 h
Switching Cycle	1350X

• Light Technical

Colour Code	930 [CCT of 3000K]
Beam Angle (Nom)	10 °
Beam Angle Technical (Nom)	9 °
Luminous Intensity (Nom)	49000 cd
Beam Description	Spot
Colour Designation	Warm White (WW)
Lumen Maintenance 12000 h (Nom)	82 %
Lumen Maintenance 2000 h (Nom)	94 %
Lumen Maintenance 4000 h (Nom)	90 %
Design Mean Lumens	2000 lm
Chromaticity	0.437
Coordinate X (Nom)	
Chromaticity	0.400
Coordinate Y (Nom)	
Colour Temperature, horizontal (Nom)	3000 K

Luminous Efficacy (rated) (Nom)	69 lm/W
Colour Rendering Index horiz (Min)	88
Colour Rendering Index horiz (Nom)	91
LLMF At End Of Nominal Lifetime (Nom)	80 %
Luminous Flux In 90° Cone (Rated)	2400 lm

• Operating and Electrical

Power (Rated) (Nom)	39 W
Lamp Current (EM) (Nom)	0.450 A
Ignition Supply Voltage (Min)	198 V
Re-Ignition Time (Min) (Max)	15 min
Warm Up Time To 60% Light (Nom)	120 s
Ignition Time (Max)	30 s
Voltage (Max)	96 V
Voltage (Min)	80 V
Voltage (Nom)	88 V

• Controls and Dimming

Dimmable	No
Run-up Time 90% (Max)	3 min

PHILIPS

• Mechanical and Housing

Bulb Finish Clear (CL)

• Approval and Application

Energy Efficiency Label A
 Mercury (Hg) Content (Nom) 4.7 mg
 Energy Consumption 43 kWh
 kWh/1000 h

• Luminaire Design Requirements

Bulb Temperature (Max) 300 °C
 Cap-Base Temperature (Max) 200 °C

• Product Data

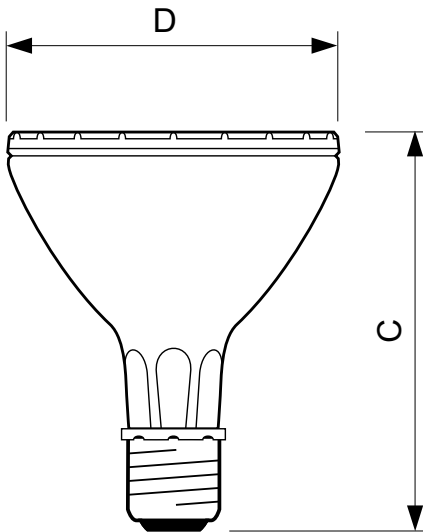
Full product code 871829124192800
 Order product name MASTERCcolour CDM-R Elite 35W/930 E27 PAR30L 10D
 EAN/UPC - Product 8718291241928
 Order code 24192800
 Numerator - 1
 Quantity Per Pack Numerator - Packs 6
 per outer box
 Material Nr. (12NC) 928108100630
 Net Weight (Piece) 0.220 kg
 ILCOS Code MRS/UB-35/930-H-E27-95/125/10

Warnings and Safety

- Use only with electronic control gear
- Control gear must include end-of-life protection (IEC61167, IEC 62035)

- A lamp breaking is extremely unlikely to have any impact on your health. If a lamp breaks, ventilate the room for 30 minutes and remove the parts, preferably with gloves. Put them in a sealed plastic bag and take it to your local waste facilities for recycling. Do not use a vacuum cleaner.

Dimensional drawing



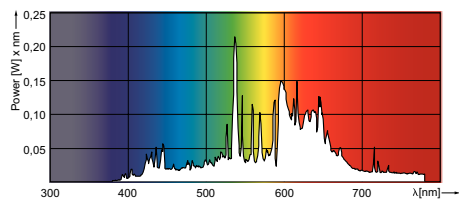
CDM-R Elite /930, /942 E27 PAR30L

CDM-R Elite 35W/930 E27 PAR30L 10D

Product	D	C
MASTERCcolour CDM-R Elite 35W/930 E27 PAR30L 10D	97 mm	123 mm



Photometric data



© 2015 Philips Lighting Holding B.V.
All rights reserved.

Specifications are subject to change without notice. Trademarks are the property of Koninklijke Philips N.V. (Royal Philips) or their respective owners.

www.philips.com/lighting

2015, December 28
data subject to change