



MASTER LEDspot PAR

MAS LEDspotLV D 8-50W 840 MR16 24D

With its robust design and warm-white beam of light, these new-generation PAR lamps are ideal for general lighting and spot lighting in the hospitality industry. There is a choice of dimmable and non-dimmable versions. They are especially suitable for public areas such as lobbies, corridors, stairwells, where the light is always on. Compatible with existing fixtures with an E27 holder and designed for retrofit replacement of halogen/incandescent lamps, MASTER LEDspot PAR deliver huge energy savings and minimize maintenance cost without any reduction in brightness. The IP44-rated outdoor version of the PAR 38 lamp is one of the few energy-saving alternatives to incandescent PAR38 outdoor lamps available today. The dimmable PAR 20 is a perfect replacement for an incandescent spot.

Product data

• General Information

Cap-Base	GU5.3 [GU5.3]
Bulb Shape	MR16 [2inch/50mm]
Main Application	Industrial
Nominal Lifetime (Nom)	40000 h
Switching Cycle B50L70	50000X 40000

• Light Technical

Color Code	840 [CCT of 4000K (841)]
Beam Angle (Nom)	24 °
Luminous Flux (Nom)	710 lm
Luminous Flux (Rated) (Nom)	710 lm
Luminous Intensity (Nom)	3350 cd
Color Designation	White (WH)
Rated Beam Angle	24 °
Correlated Color Temperature (Nom)	4000 K
Luminous Efficacy (rated) (Nom)	84 lm/W
Color Consistency	6 steps
Color Rendering Index (Nom)	80
LLMF At End Of Nominal Lifetime (Nom)	70 %

Luminous Flux In 90° Cone (Rated) 670 lm

• Operating and Electrical

Power (Rated) (Nom)	8 W
Lamp Current (Nom)	900 mA
Wattage Equivalent	50 W
Starting Time (Nom)	0.5 s
Warm Up Time To 60% Light (Nom)	0.6 s
Power Factor (Nom)	0.7
Voltage (Nom)	12 V

• Temperature

T-Case Maximum (Nom)	105 °C
----------------------	--------

• Controls and Dimming

Dimmable	Yes
----------	-----

• Approval and Application

Energy Saving Product	Yes
Suitable For Accent Lighting	Yes

PHILIPS

MASTER LEDspot PAR

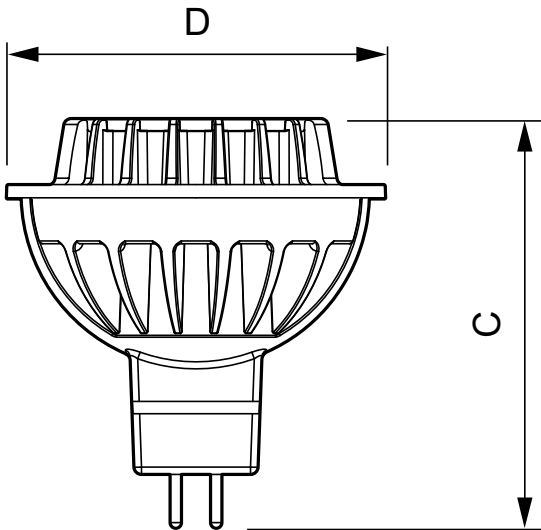
Energy Efficiency Label (EEL) A+
Energy Consumption 9 kWh/1000 h

• Product Data

Full product code 871869657633500
Order product name MAS LEDspotLV D 8-50W 840 MR16 24D

EAN/UPC - Product 8718696576335
Order code 929001150002
Numerator - Quantity Per Pack 1
Numerator - Packs per outer box 10
Material Nr. (12NC) 929001150002
Net Weight (Piece) 0.050 kg

Dimensional drawing



MR16 8W-50W 24D 4000K Gu5.3 D Dark Gray

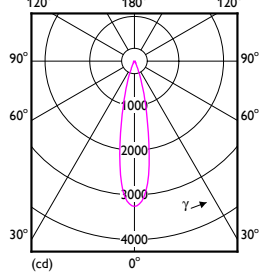
Product	D	C
MAS LEDspotLV D 8-50W 840 MR16 24D	51 mm	55 mm

Accent Lighting - Spots

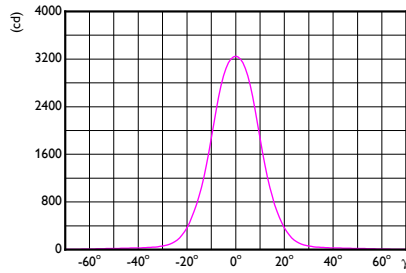
MR16 8.5W 25D 4000K 9290011500

710 lm

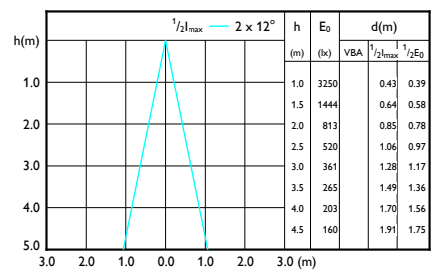
Polar intensity diagram



Cartesian intensity diagram

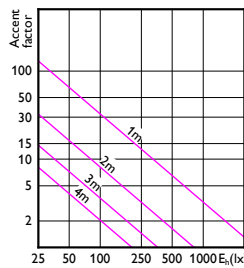


Beam diagram



Light output ratio 1.00
 Service upward 0.00
 Service downward 1.00
 I_{max} 3350 cd
 BS ($1/2 I_{max}$) 2 x 12°

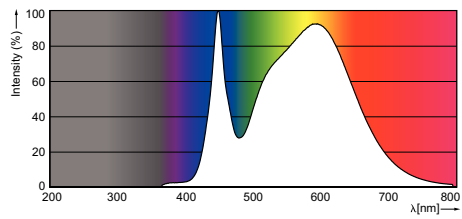
Visual impact diagram



SL18140-#1

2015-04-29

MASTER LEDspot PAR



© 2016 Philips Lighting Holding B.V.
All rights reserved.

Specifications are subject to change without notice. Trademarks are the property of Koninklijke Philips N.V. (Royal Philips) or their respective owners.

www.philips.com/lighting

2016, May 24
data subject to change