



MASTER LEDspot PAR

MAS LEDspotLV D 8-50W 840 MR16 36D

With its robust design and warm-white beam of light, these new-generation PAR lamps are ideal for general lighting and spot lighting in the hospitality industry. There is a choice of dimmable and non-dimmable versions. They are especially suitable for public areas such as lobbies, corridors, stairwells, where the light is always on. Compatible with existing fixtures with an E27 holder and designed for retrofit replacement of halogen/incandescent lamps, MASTER LEDspot PAR deliver huge energy savings and minimize maintenance cost without any reduction in brightness. The IP44-rated outdoor version of the PAR 38 lamp is one of the few energy-saving alternatives to incandescent PAR38 outdoor lamps available today. The dimmable PAR 20 is a perfect replacement for an incandescent spot.

Product data

• General Information

Cap-Base	GU5.3 [GU5.3]
Bulb Shape	MR16 [2inch/50mm]
Main Application	Industrial
Nominal Lifetime (Nom)	40000 h
Switching Cycle	50000X
B50L70	40000

• Light Technical

Color Code	840 [CCT of 4000K (841)]
Beam Angle (Nom)	36 °
Luminous Flux (Nom)	710 lm
Luminous Flux (Rated) (Nom)	710 lm
Luminous Intensity (Nom)	1750 cd
Color Designation	White (WH)
Rated Beam Angle	36 °
Correlated Color Temperature (Nom)	4000 K
Luminous Efficacy (rated) (Nom)	84 lm/W
Color Consistency	6 steps
Color Rendering Index (Nom)	80
LLMF At End Of Nominal Lifetime (Nom)	70 %

Luminous Flux In 90° Cone (Rated)	670 lm
-----------------------------------	--------

• Operating and Electrical

Power (Rated) (Nom)	8 W
Lamp Current (Nom)	900 mA
Wattage Equivalent	50 W
Starting Time (Nom)	0.5 s
Warm Up Time To 60% Light (Nom)	0.7 s
Power Factor (Nom)	0.7
Voltage (Nom)	12 V

• Temperature

T-Case Maximum (Nom)	105 °C
----------------------	--------

• Controls and Dimming

Dimmable	Yes
----------	-----

• Approval and Application

Energy Saving Product	Yes
Suitable For Accent Lighting	Yes

PHILIPS

MASTER LEDspot PAR

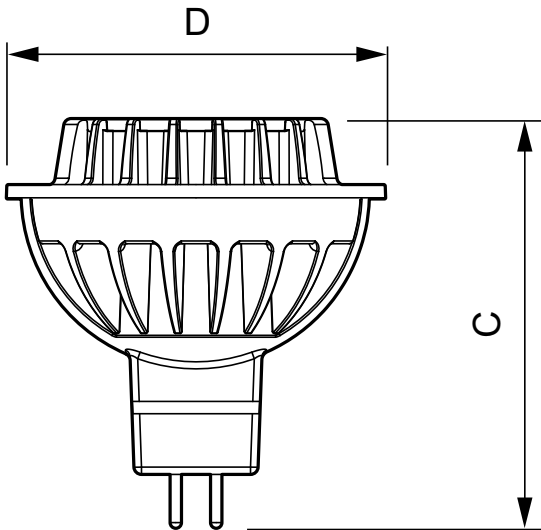
Energy Efficiency Label (EEL) A+
Energy Consumption 9 kWh/1000 h

• Product Data

Full product code 871869657635900
Order product name MAS LEDspotLV D 8-50W 840 MR16 36D

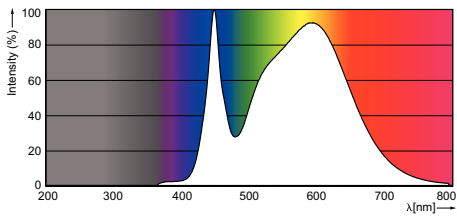
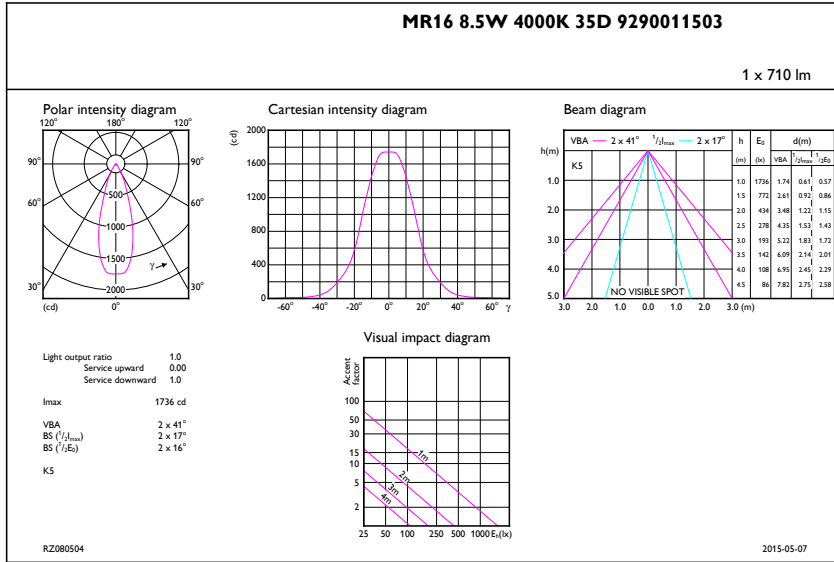
EAN/UPC - Product 8718696576359
Order code 929001150302
Numerator - Quantity Per Pack 1
Numerator - Packs per outer box 10
Material Nr. (12NC) 929001150302
Net Weight (Piece) 0.050 kg

Dimensional drawing



MR16 8W-50W 36D 4000K Gu5.3 D Dark Gray

Product	D	C
MAS LEDspotLV D 8-50W 840 MR16 36D	51 mm	55 mm



© 2016 Philips Lighting Holding B.V.
 All rights reserved.

Specifications are subject to change without notice. Trademarks are the property of Koninklijke Philips N.V. (Royal Philips) or their respective owners.

www.philips.com/lighting

2016, May 24
 data subject to change