

CoreLine Tempo

BVP120 LED120/NW S

LED module 12,000 lm - Neutral white - Symmetrical

CoreLine Tempo is the first outdoor solution in the CoreLine range. Designed to replace conventional installations, it offers lower power consumption and requires less investment. A limited range of options makes it easy to find the best lux-for-lux replacement.



Product data

• General Information

Number of light sources	162 pcs
Lamp family code	LED120 [LED module 12,000 lm]
Light source color	Neutral white
Light source replaceable	No
Number of gear units	1 unit
Driver/power unit/transformer	Power supply unit
Driver included	Yes
Optical cover/lens type	Flat glass
Protection class IEC	Safety class I
Standard RAL color	Gray aluminum
CE mark	CE mark
Optic type outdoor	Symmetrical
Constant light output	No
Spare parts available	No

• Light Technical

Luminous flux at dimming	12000 lm
Initial luminous flux at 15 °C	12000 lm
Initial luminous flux at 25 °C	12000 lm
Initial luminous flux at 35 °C	12000 lm
Standard tilt angle posttop	0°

• Operating and Electrical

Input Voltage	220 to 240 V
Input Frequency	50 to 60 Hz

Power consumption at dimming	120 W
Inrush current	47.2 A
Inrush time	600 ms
Driver current	700 mA
Power Factor (Nom)	0.95

• Controls and Dimming

Dimmable	No
----------	----

• Mechanical and Housing

Housing Material	Aluminum
Optic material	Polycarbonate
Optical cover/lens material	Glass
Fixation material	Aluminum

• Approval and Application

Ingress protection code	IP65 [Dust penetration-protected, jet-proof]
Mech. impact protection code	IK08 [5 J vandal-protected]

• Initial Performance (IEC Compliant)

Initial luminous flux	12000 lm
Init. Corr. Color	4000 K
Temperature	
Initial input power	120 W

• Over Time Performance (IEC Compliant)

Driver failure rate at 5000 h	0.1 %
-------------------------------	-------

PHILIPS

CoreLine Tempo

Useful life L80B10 50000 h
Abrupt failure value at L80B10 1.6 %

• Application Conditions

Ambient temperature range -20 to +35 °C

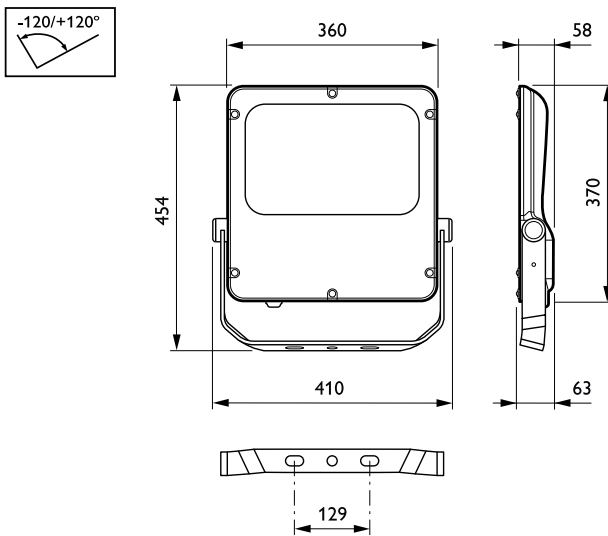
• Product Data

Full product code 871016329587900
Order product name BVP120 LED120/NW S

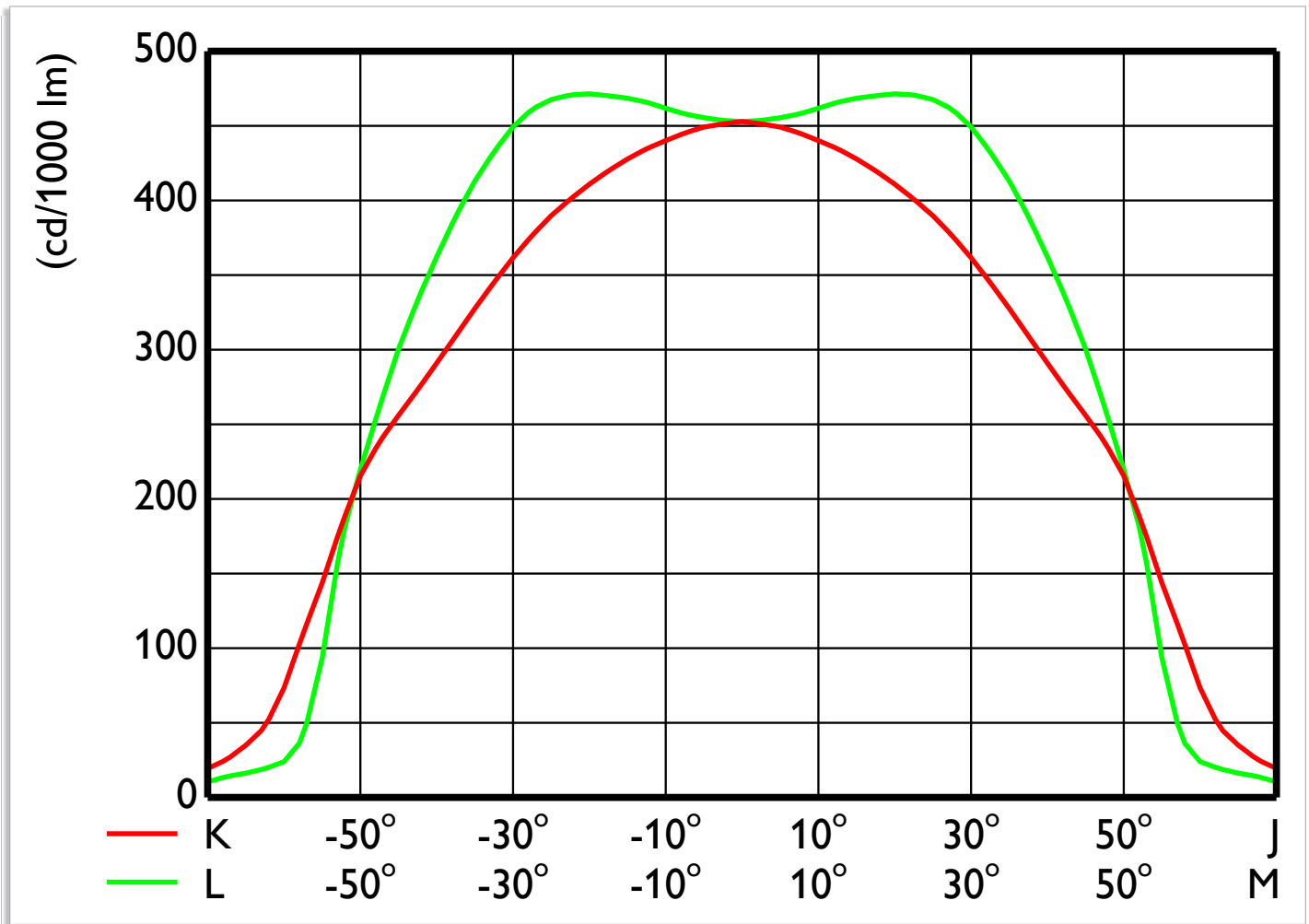
EAN/UPC - Product 8710163295879
Order code 911401649002
Numerator - Quantity Per Pack 1
Numerator - Packs per outer box 1
Material Nr. (12NC) 911401649002
Net Weight (Piece) 6.600 kg



Dimensional drawing



Photometric data



OFCS1_BVP1201xLED120NWS



© 2016 Philips Lighting Holding B.V.
All rights reserved.

Specifications are subject to change without notice. Trademarks are the property of Koninklijke Philips N.V. (Royal Philips) or their respective owners.

www.philips.com/lighting

2016, November 9
data subject to change